

ALPHA



G-20

GYNECOLOGY



elektro-optika
Hungarian expert on microscopes!

Elektro-Optika Kft.
2030 Érd Kaktusz street 22
+36 23 520 077
info@elektro-optika.hu
www.elektro-optika.hu



The G-20 product line:

Several years of professional experience played an important role in the creation of the YDJ-2 product line, which together with doctors we obtained in the construction of the colposcope. As a result, our YDJ product line is becoming more and more popular both domestic and foreign markets. By summarizing the information of the past 15 years, we created the latest of the YDJ-2 colposcope family generation, which can also be found in private clinics and high-traffic public institutions. The product line can be configured in countless ways and can be flexibly developed with different camera systems.



Zoom magnification



Built in green filter



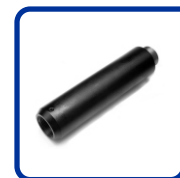
*Easily
movable
arm system*



*High performance
LED light source*



*C-mount for
digital cameras*



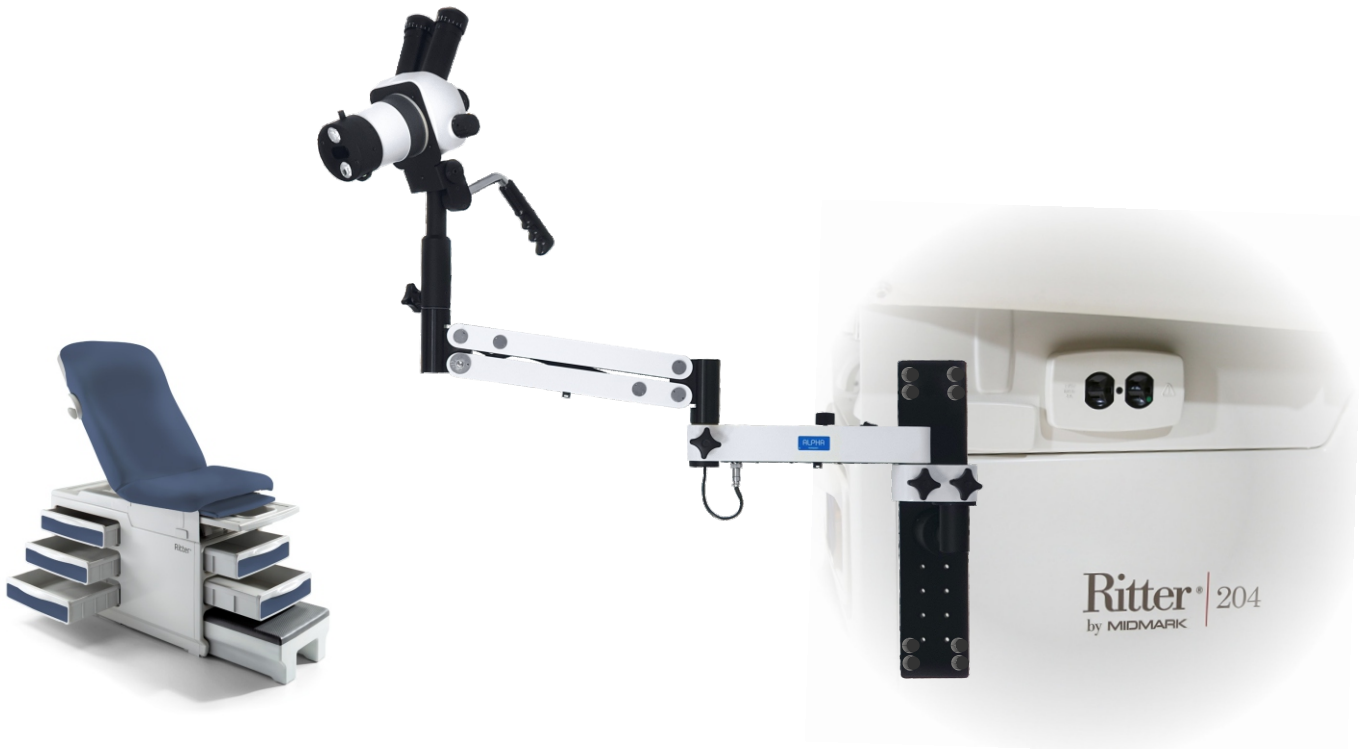
*200mm
rod extender
adapter*

G-20 Rolling base version



G-20 mountable version:

We also manufacture the YDJ-2 colposcope in a mountable version. We recommend this model for mounting on the wall or for examination beds prepared for mounting a colposcope.



Universal mounting kit and unique solutions:

In many cases, we come across an examination bed that does not have a pre-designed mounting point. In this case, unique solutions must be applied. Based on our many years of experience, we offer mounting bars and stocks. The installation is always preceded by a preliminary assessment.



*Mounting kit for
Ritter 204 examiner chair*



*Mounting kit for
Lemi Gyno examiner chair*



*Mounting kit for
Schmitz-Söhne examiner chair*



*Universal mounting kit for
rod or wall*

G-20 camera systems



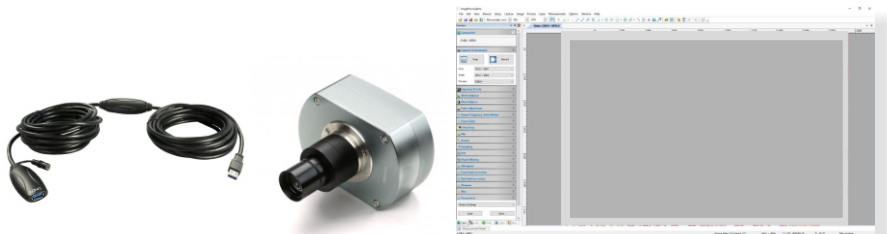
HDMI camera systems

With the AHD4K camera, you can take photos in high resolution and you don't have to give up fast image updating either. The resolution of the live image is 3840x2160p at 30 frames per second. The completed 8 Mpixel images and 4K videos are saved on the microSD card inserted in the camera. The camera is operated with the push buttons, and we also add an infrared remote control to the camera, which allows you to access all functions. The camera also has a USB connection option, and its live image can be displayed on a PC with the help of the included software and a USB cable. The package is delivered with a 5M/10M HDMI cable if it is connected to an external wall monitor.



USB camera systems

With the help of Euromex's USB 3.0 cameras, you can take high-resolution photos with fast image updates, and you can save and edit the images/videos immediately on your computer. Among the USB cameras, we offer 3 Mp and 6 Mp versions equipped with the high sensitivity and high color depth SONY Exmor R sensor for our colposcopes. The image management software and the 10M active USB cable are part of the package.



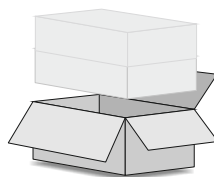
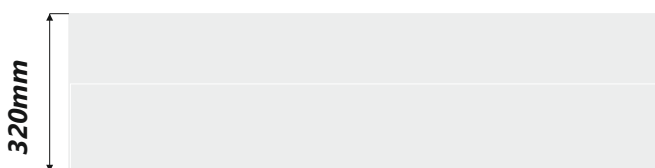
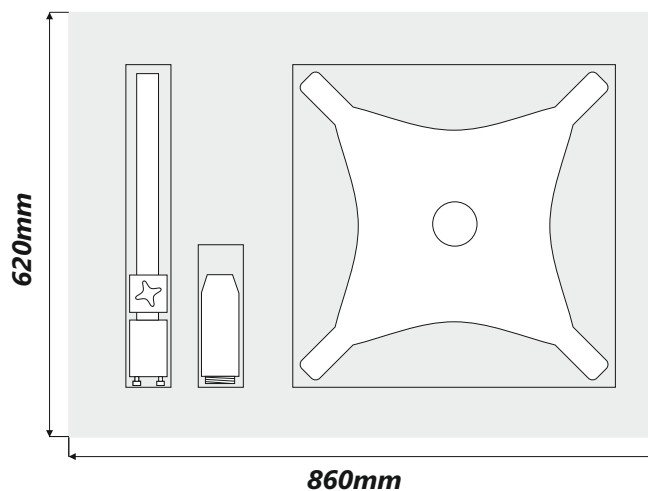
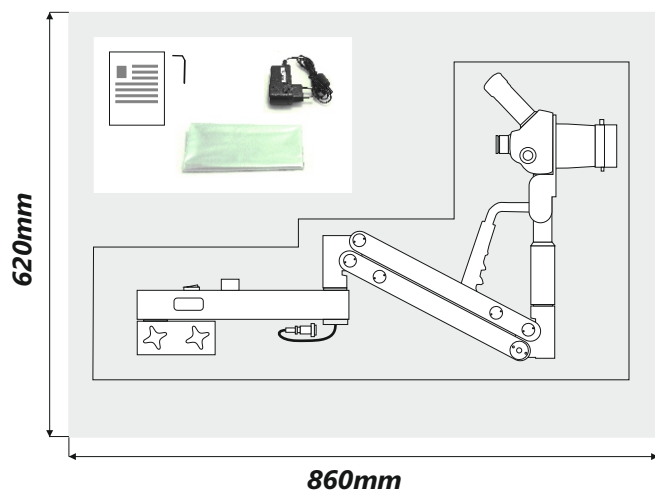
G-20 technical data:

- Head: beam splitter 50/50% , trinocular, 45° inclined tubes
- The head can be tilted +/-15° using the handle
- Head rotatability: 310°
- Pupillary distance adjustment: 45-75 mm
- Diopter adjust both eyepieces: +/-5 D
- Working distance: 230 mm
- Eyepieces: WF10x/20 mm
- Filed of view: 55-16 mm között
- Total magnification: 5x-22.5x
- Switchable green filter
- Illumination: adjustable, high brightness PowerLED, 4000K, >50,000 lux brightness
- Base floor area: 460 x 460 mm, with brakeable wheels
- The weight of the instrument: 32 Kg
- All rotating parts can be fixed with screws
- Maximum horizontal extension from the rod: 800 mm
- Vertical adjustment range of gas spring arm: +/-150 mm
- Lever system vertical adjustment range on the rod: 400 mm
- C-mount for digital cameras
- Accessories in the package: dust cover, DC 12V, wall power supply, power extension cable, user manual
- A 200 mm vertical rod extension adapter for high-built examination chairs is optionally available



G-20 package dimensions:

Brutto weight: 32Kg



G-20 monitor arm and mini PC system

Mini PC system with monitor and monitor arm

Small mini PC systems are perfectly suited to be placed on the back of the monitor. With the help of small computers, a complete diagnostic station can be built on the colposcope. The package includes the complete mounting kit, monitor, mini PC with the pre-installed Windows 10 operating system, and the camera's image processing software.



G-20 rolling base version size:

